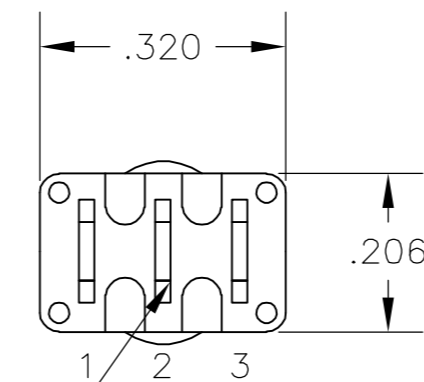
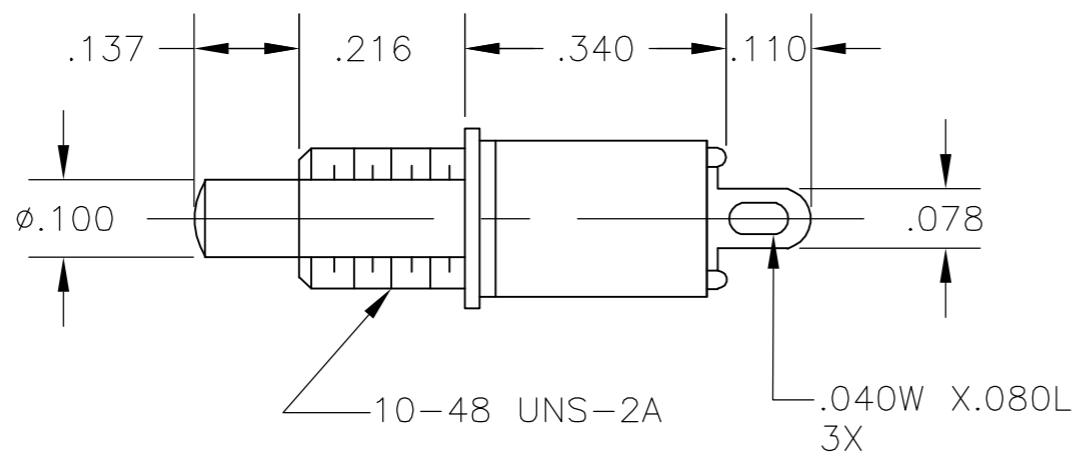
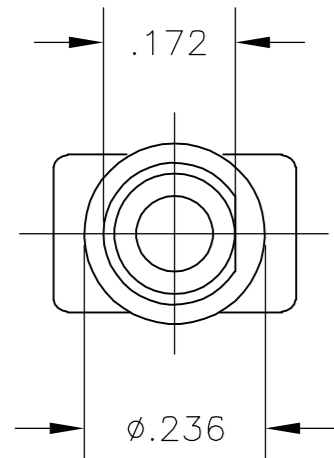


THIS DRAWING IS UNPUBLISHED. RELEASED FOR PUBLICATION  
 © COPYRIGHT BY TYCO ELECTRONICS CORPORATION. ALL RIGHTS RESERVED.

LOC	DIST	REVISIONS			
P	LTR	DESCRIPTION	DATE	DWN	APVD
AD	00	B	ECO-06-000585	08AUG06	BSV MZ



CENTER TERMINALS NOT FURNISHED ON TPC13C\*

**SPECIFICATIONS**

**MATERIALS:**

CASE: HIGH TEMPERATURE POLYESTER, UL 94V-0  
 ACTUATOR BUTTON: THERMOPLASTIC, COLORS: SEE CHART BELOW.  
 MOVING CONTACT: COPPER ALLOY, SILVER PLATED  
 TERMINALS: COPPER ALLOY, TIN LEAD PLATED  
 TERMINAL SEAL: SP EPOXY  
 DP EPOXY OPTIONAL.

**ELECTRICAL:**

CONTACT RATING: SILVER = 1A @ 125 VAC OR 20 VDC.  
 INITIAL CONTACT RESISTANCE: 20 MILLIOHMS MAX.  
 INSULATION RESISTANCE: 1.000 MEGAOHMS @ 500 VDC MIN.  
 DIELECTRIC STRENGTH: 1.000 VAC  
 LIFE EXPECTENCY: SILVER: 1 POLE = 60.000 CYCLES  
 2 POLE = 50.000 CYCLES

**MECHANICAL:**

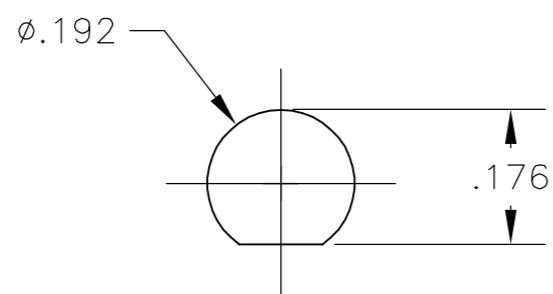
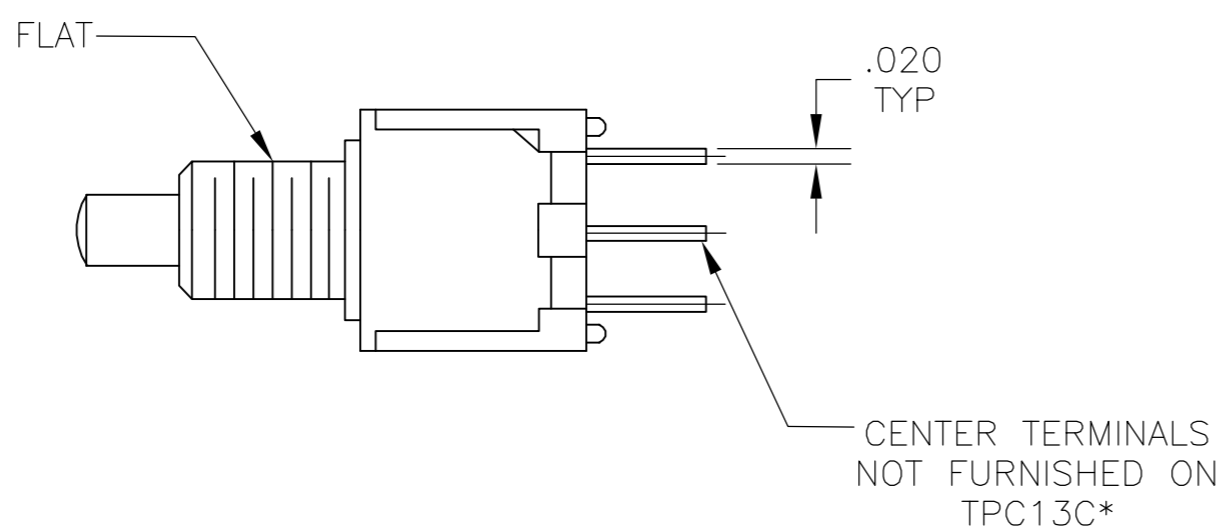
ACTUATION FORCE: 50 TO 400g.  
 ACTUATION TRAVEL: .030 APPROX.

**ENVIRONMENTAL:**

OPENING TEMPERATURE: -22°F TO +149°F ( -30°C TO +65°C).  
 STORAGE TEMPERATURE: -22°F TO +149°F ( -30°C TO +65°C).

**NOTES:**

- INTERPRET DRAWING PER ASME Y14.5M-1994
- SUPPLIED WITH MOUNTING HARDWARE



**RECOMMENDED HOLE LAYOUT**  
 TOLERANCE ±.002 UNLESS OTHERWISE NOTED

(*)	BUTTON COLORS
(0)	BLACK
(2)	RED
(6)	BLUE

AUGAT D/N 40013

TERMINALS CONNECTED WITH BUTTONS IN POSITIONS SHOWN		
MODEL NO		
TPC13C (*)	OFF	3 TO 1(MOM)
TPC13F (*)	2 TO 1	2 TO 3(MOM)

NOTE:  
 TERMINAL DESIGNATION NUMBERS ARE FOR REFERENCE ONLY AND DO NOT APPEAR ON SWITCHES

THIS DRAWING IS A CONTROLLED DOCUMENT.		DWN DRM	20MAR80	Tyco Electronics Corporation Harrisburg, Pa 17105-3608
DIMENSIONS: INCHES		CHK C. BUCKHEIT	21MAR80	
TOLERANCES UNLESS OTHERWISE SPECIFIED:		APVD KJ	21MAR80	NAME PUSHBUTTON SWITCH TPC13 SERIES
0 PLC ± -		PRODUCT SPEC	-	
1 PLC ± -		APPLICATION SPEC	-	SIZE A2
2 PLC ± -		WEIGHT	-	
3 PLC ± .010		CUSTOMER DRAWING		CAGE CODE 00779
4 PLC ± -		SCALE 4:1		DRAWING NO C=2-1437572-2
ANGLES ± -		SHEET 1 OF 1		RESTRICTED TO -
FINISH SEE SPECIFICATIONS		REV B		

2-1437572-2